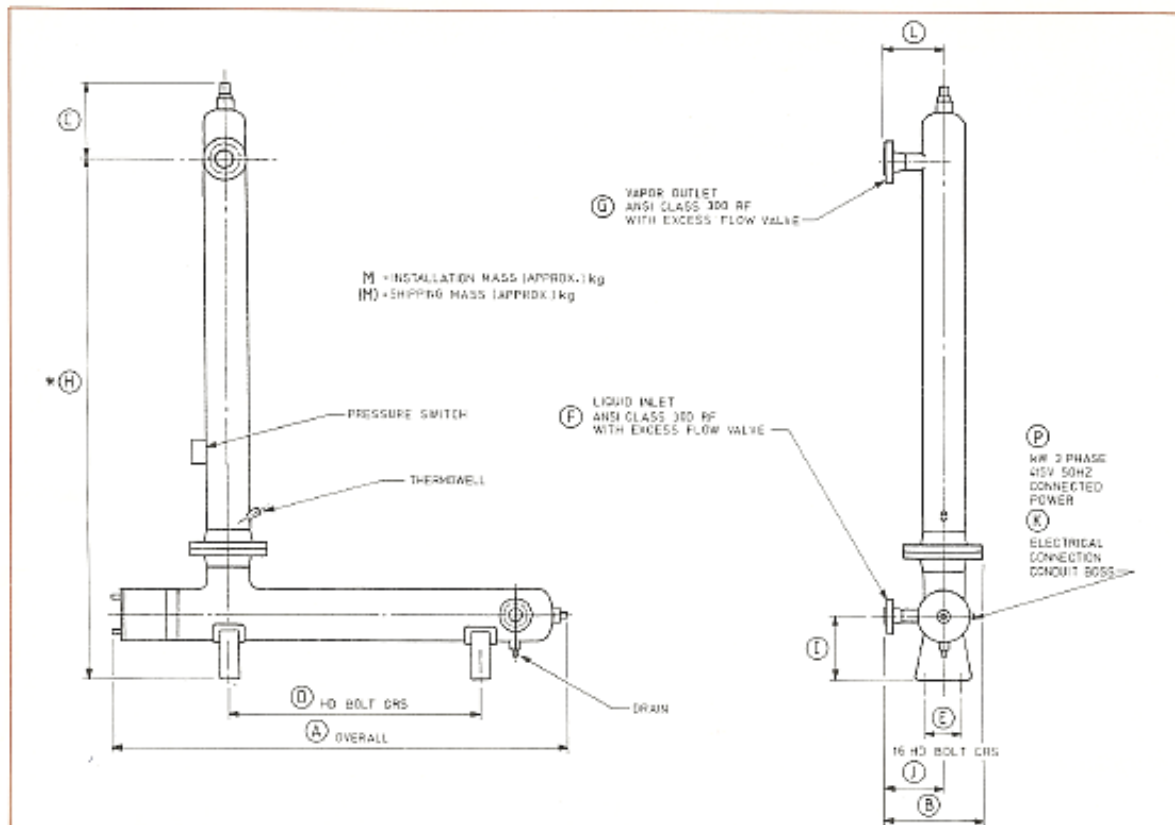


BATCHEN

Electric Vaporiser Specifications



MODEL NO.	VAPORISING CAPACITY kg/h		A mm	B mm	C mm	D mm	E mm	F mm N.B.	G mm N.B.	I mm	J mm	K mm	L mm	P kw	M kg	(M) kg
	Propane	Butane														
300P	695		2460	470	350	1420	188	50	50	326	280	40	250	69.0	700	850
250B		660	2460	470	350	1420	188	50	50	326	280	40	250	69.0	700	850
250P	580		2460	470	350	1420	166	50	50	326	280	40	250	57.5	695	845
200B		530	2460	470	350	1420	166	50	50	326	280	40	250	57.5	695	845
200P	460		2430	409	340	1420	140	50	50	305	250	32	230	46.0	500	630
160B		420	2430	409	340	1420	140	50	50	305	250	32	230	46.0	500	630
150P	350		2430	409	340	1420	140	50	50	305	250	32	230	34.5	495	625
120B		320	2430	409	340	1420	140	50	50	305	250	32	230	34.5	495	625
100P	230		2390	352	310	1420	140	40	40	258	225	25	200	23.0	350	480
80B		210	2390	352	310	1420	140	40	40	258	225	25	200	23.0	350	480
50P	115		2390	352	310	1420	140	40	40	258	225	25	200	11.5	345	475
40B		105	2390	352	310	1420	140	40	40	258	225	25	200	11.5	345	475

*Dimension H to be decided for each application. Normally vapour outlet is approx. 600mm above top surface of storage tank.

NOTE: Gross calorific value of propane and butane is approx. 0.05GJ/kg.

MANUFACTURED BY: D.J. BATCHEN PTY. LTD. 4-6 RAGLAN RD AUBURN NSW 2144 AUSTRALIA. TEL: +612 9644 7444 EMAIL: sales@batchen.com.au

NOTE: 1. Due to our policy of continual improvement in design features, we reserve the right to change the above specifications at any time, without notice.

2. Power to the vaporiser must be switched off before removal of cover plate protecting flameproof enclosure.